

I、 Introduction

1. No UV, IR or other deleterious radiation
2. Vivid emitting color
3. Can be replaced bulbs with tradition
4. Energy saving and safety

II、 Parameter

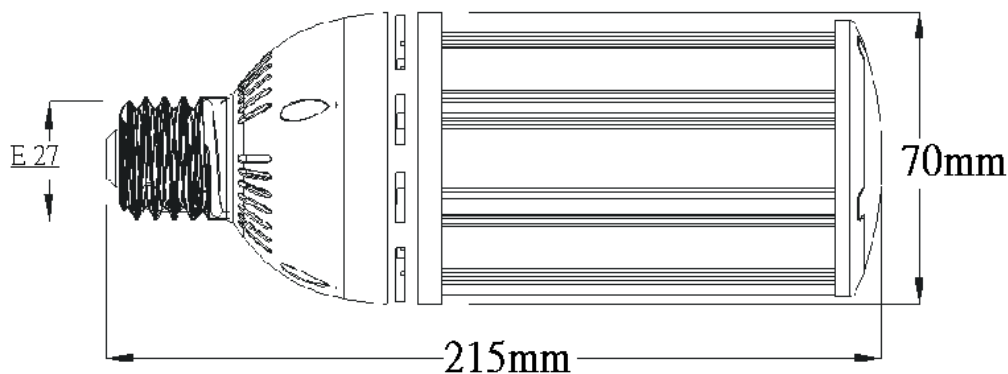
- 1.Total Power: 20W
2. Socket: E27
3. Color Temperature: Warm white
4. Voltage: 85-265V AC
5. Lifetime: >50, 000 hours
- 6.IP degree:IP64 (Lamp body)



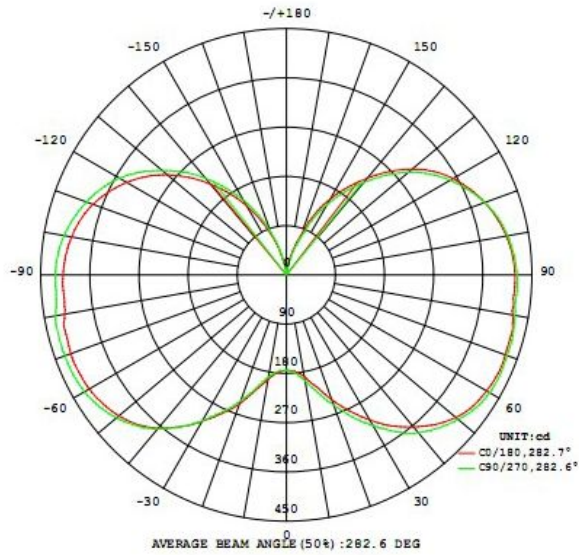
III、 Electro - Optical

Parameter	Symbol	Min		Max	Unit
Brightness	Flux	2200		2600	lm
Color Temperature	CCT		2700		K
Voltage	V / AC	85		265	V
Operation Temperature	To	-20	30	45	°C
Total Power	P		20		W
View Angle	2θ1/2		360		Deg.

Dimension diagram:



Light distribution Curve:



Applications:

