

I . Introduction

1. Soft and flexible; can be bendable ,
2. Adopting 5050 RGB SMD Lamps as light source; beam angle>140°
3. Simple circuitry structure; 3 pcs lamps make a loop ,
4. Low working voltage: DC12V; secure and reliable .
5. Easy to install and maintain; can be cut and linked as per clients' requirement .
6. Using 3M double-side sticky tape to fix on the back side of the strip .

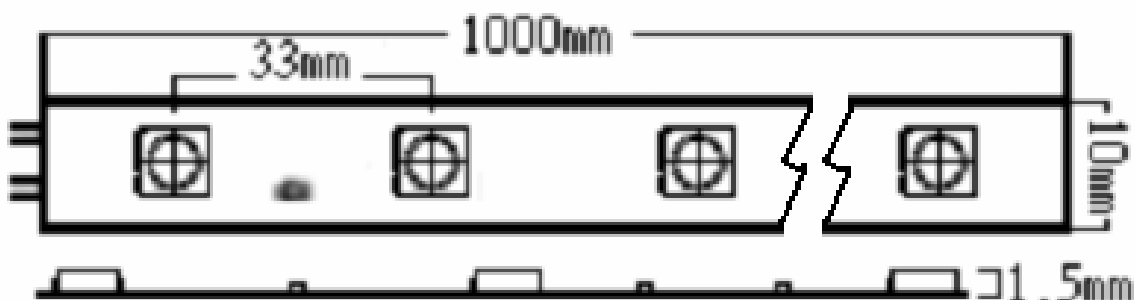


II、 Specification (1 meter)

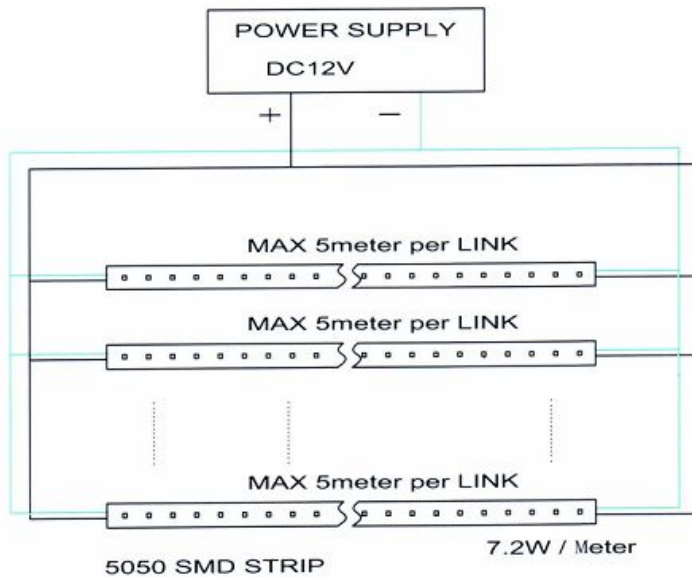
1. **Size (mm):** 10*1000
2. **Voltage (V):** DC 12V
3. **Power (W):** 7.2W
4. **LED Quantity:** 30 pcs

Item	Symbol		Tested Parameter			Unit
			Min	Typ	Max	
Dominant Wavelength Typ.	λd	R		625		nm
		G		525		
		B		470		
Luminous flux Typ.	Φv	R		150		lm
		G		480		
		B		120		
Viewing Angle	2θ	1/2		140		deg

III、 Size

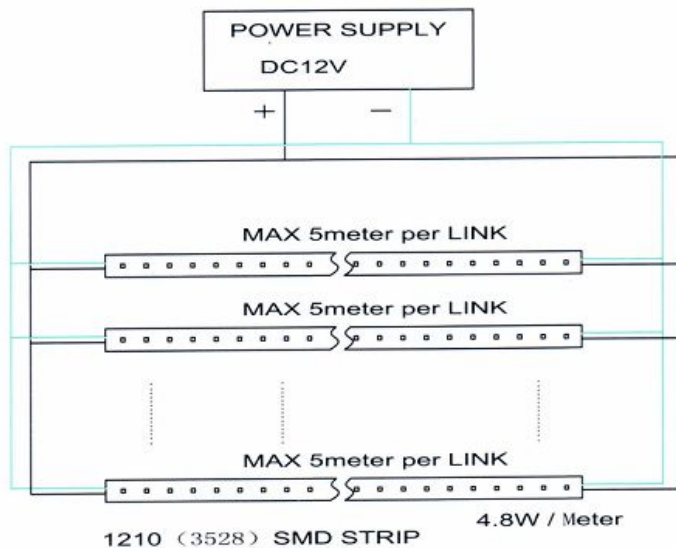


How to connect the LED Strips



Marks:

1. Maximum 5meter/link/loop
2. Better to supply the power through both of the two ends of each link.
3. Modules should be installed in a proportional spacing to make sure the LED emitting evenly.
4. Power supply should be DC12v.
5. Be sure the positive and negative are not reversed



Marks:

1. Maximum 5meter/link/loop
2. Better to supply the power through both of the two ends of each link.
3. Modules should be installed in a proportional spacing to make sure the LED emitting evenly.
4. Power supply should be DC12v.
5. Be sure the positive and negative are not reversed