

# PL-IHB-CW-200W-4SP



## I、 Introduction

1. High luminous efficiency
2. Solving the over-heat problem
3. High lumen maintenance
4. Convenient to install
5. Long life time & more stable

## II、 Parameter

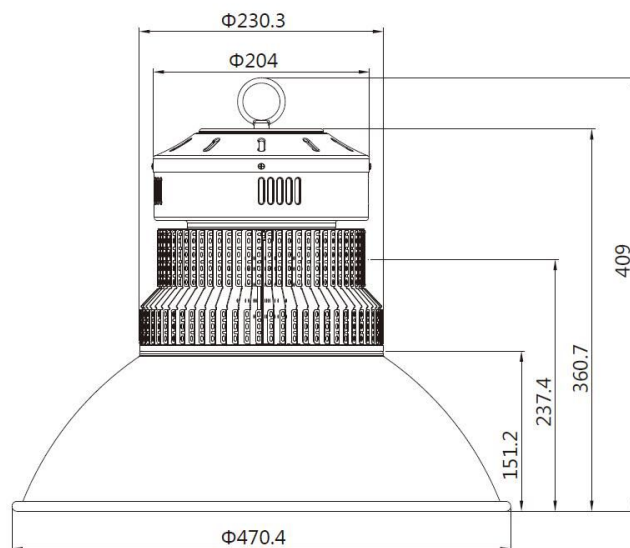
1. LED Emitting Color: Cool White
2. Size: 430x 491mm (D\*H)- 60°  
470x 409mm (D\*H)-90°  
502x 411mm (D\*H)-120°
3. Housing: Aluminium housing + reflector
4. Chip brand: SMD2835
5. IP grade: IP40



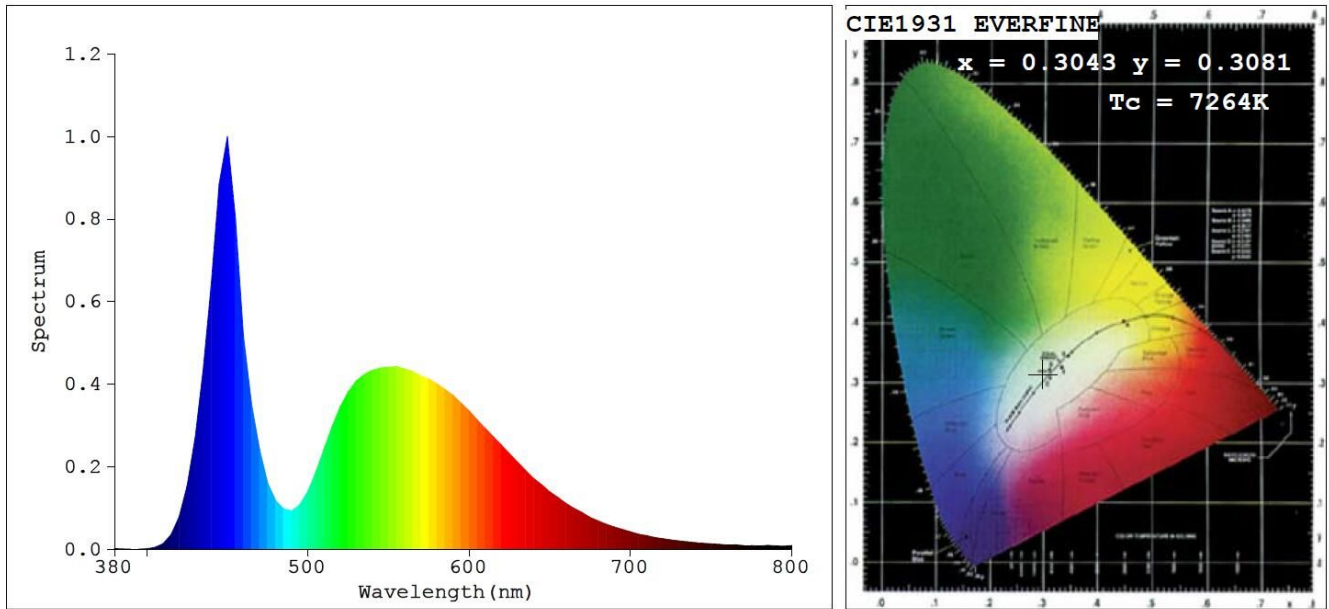
## III、 Electro - Optical

Parameter	Symbol	Min		Max	Unit
Brightness	Flux		20000		lm
Color Temperature	CCT	5500		6500	K
Voltage	V / AC	100		270	V
Total Power	P		200		W
View Angle	2θ1/2	60	90	120	Deg.

## V、 Size



Technical Data test pattern(技術參數測試圖)  
Light source test report(電光源測試報告)



灯具配光曲线  
Light distribution curve

照度图  
Illuminance map

