

# PL-ILHP-WW/3x3W-5A



## I、 Introduction

1. No UV, IR or other deleterious radiation
2. Vivid emitting color
3. Can be replaced with tradition
4. Energy saving and safety

## II、 Parameter

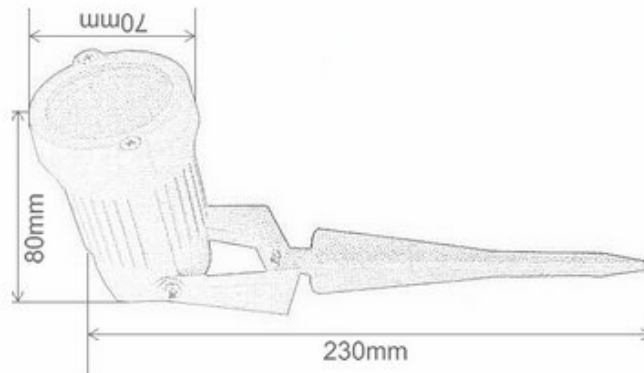
- 1.Total Power: 9W
2. LED Emitting Color: Warm White
3. Voltage: AC220V
4. IP Grade : IP65
5. Lifetime: >40, 000 hours



## III、 Electro - Optical

Para-Meter	Note	Test condition				Unit
			Min.	Typ.	Max.	
<b>Flux</b>	Luminous Flux	Yuanfang PMS-50 system 0.5m integral sphere, each $I_f=12.5mA$	450		480	lm
<b>CCT</b>	Color Temperature	Yuanfang PMS-50 system 0.5m integral sphere		2700		K
<b>V<sub>in</sub></b>	Voltage input	Philips high frequency electronic transformer. 12V.Taiwan HIOKI 3332 POWER HITESTER	220		240	V
<b>T<sub>sd</sub></b>	Surface Temperature	Ambient temperature 20°C. After 1 hour of continuous work	-20		55	°C
<b>P<sub>in</sub></b>	Total Power	Taiwan HIOKI 3332 POWER HITESTER		9		W

## IV、 Size (Unit : mm)



Size(mm) :80x70x230mm

<http://www.powerled.com.hk>  
E-mail:sales@powerled.com.hk