

HP/MR16-WW/3*2W-1D

I、 Introduction

1. No UV, IR or other deleterious radiation
2. Efficient heat dissipation design
3. Can be replaced MR16 GU5.3 with tradition
4. Energy saving and safety



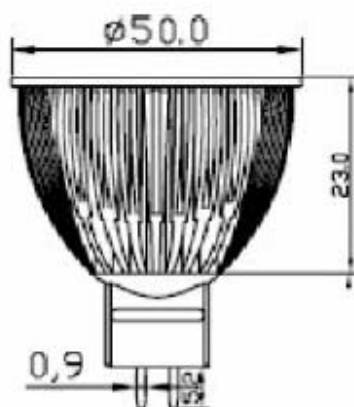
II、 Parameter

1. LED quantity: 3pcs
2. LED Emitting Color: Warm White
3. Voltage: AC/DC12V
4. Lifetime: >40, 000 hours
5. Lumen = less than 5% after 10,000 hours and 30% after 50,000 hours operation

III、 Electro -Optical

Parameter	Symbol	Min		Max	Unit
Brightness	Flux		300		lm
Color Temperature	CCT		2700		K
Voltage	DC / AC		12		V
Operation Temperature	To	-25	30	50	C
Total Power	P		6		W
View Angle	2θ1/2		30		Deg.

VI、 Size (mm)



E-mail: sales@powerled.com.hk
<http://www.powerled.com.hk>