

PL-IF-180x140-WW-20W-4EM



I、 Introduction

1. High luminous efficiency
2. Solving the over-heat problem
3. High lumen maintenance
4. Convenient to install
6. Long life time & more stable

II、 Parameter

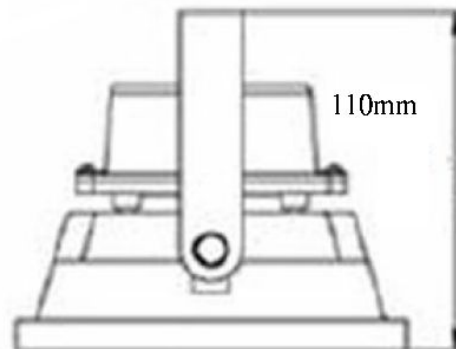
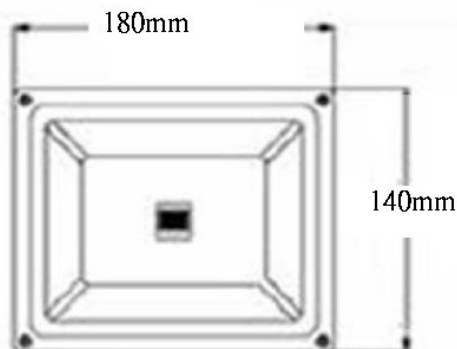
1. LED Emitting Color: Warm White
2. Size: Diameter=180*140mm, High=110mm
3. Housing: Aluminum
4. IP grade: IP65



III、 Electro - Optical

Parameter	Symbol	Min	Typ	Max	Unit
Brightness	Flux		1800		lm
Color Temperature	CCT		3000		K
Voltage	V / AC	100		240	V
Operation Temperature	To	-25	30	50	°C
Total Power	P		20		W
View Angle	2θ1/2		120		Deg.

V、 Size



<http://www.powerled.com.hk>
E-mail:sales@powerled.com.hk