

## HP/MR16-WW/3\*1W-1D

### I、 Introduction

1. No UV, IR or other deleterious radiation
2. Efficient heat dissipation design
3. Can be replaced MR16 GU5.3 with tradition
4. Energy saving and safety

### II、 Parameter

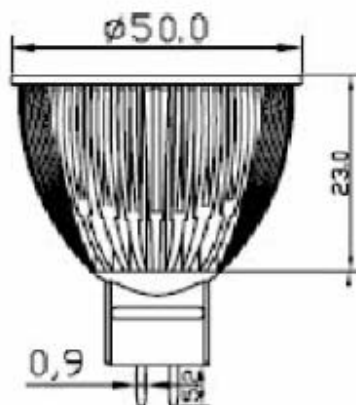
1. LED quantity: 3pcs
2. LED Emitting Color: Warm White
3. Voltage: AC/DC12V
4. Lifetime: >40, 000 hours
5. Lumen = less than 5% after 10,000 hours and 30% after 50,000 hours operation



### III、 Electro -Optical

| Parameter             | Symbol  | Min |      | Max | Unit |
|-----------------------|---------|-----|------|-----|------|
| Brightness            | Flux    |     | 210  |     | lm   |
| Color Temperature     | CCT     |     | 2700 |     | K    |
| Voltage               | DC / AC |     | 12   |     | V    |
| Operation Temperature | To      | -25 | 30   | 50  | C    |
| Total Power           | P       |     | 3    |     | W    |
| View Angle            | 2θ1/2   |     | 30   |     | Deg. |

### VI、 Size (mm)



E-mail:[sales@powerled.com.hk](mailto:sales@powerled.com.hk)  
<http://www.powerled.com.hk>