

PL-P8-CW/140W-4G



I、 Introduction

1. No UV, IR or other deleterious radiation
2. Vivid emitting color
3. Energy saving and safety

II、 Parameter

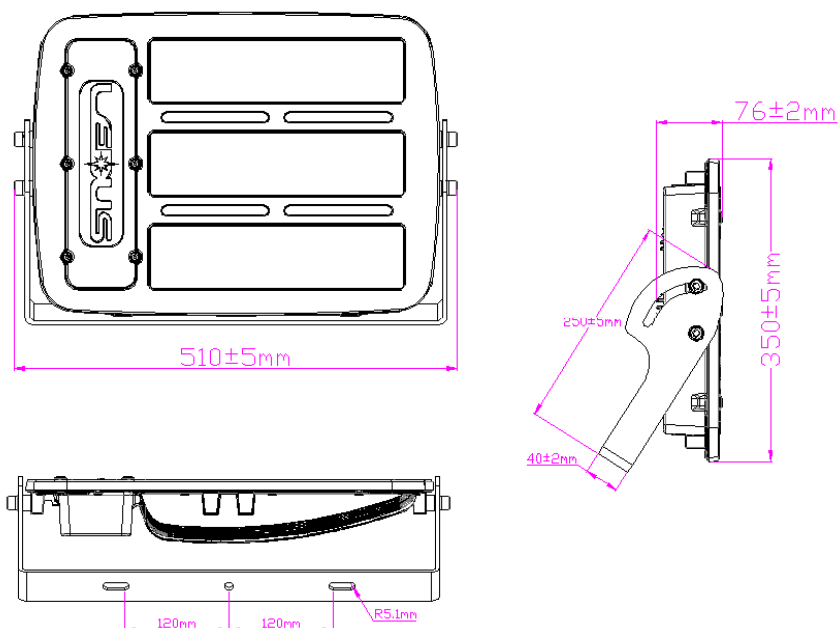
1. Size (mm) L510mm W 350mm H 76mm
2. Lifetime: >40, 000 hours
3. Voltage (V): AC 100-240V



III、 Electro - Optical

Parameter	Symbol	Min		Max	Unit
Brightness	Flux		10220		lm
Color Temperature	CCT		6500		K
Voltage	V / AC	100		240	V
Operation Temperature	To	-25	30	50	°C
Total Power	P		140		W

V、 Size (Unit : mm)



<http://www.powerled.com.hk>
E-mail:sales@powerled.com.hk