

PL-T8/120-XX/SMD-3PH-D-H



I、 Introduction

1. Spotless tube with aluminum alloy base, looks like traditional fluorescent tube.
2. Start-up in a second, No flash, No UV
3. Can be replaced traditional fluorescent tube.
4. Don't need to repair, its life time, is 10 times of traditional fluorescent tube. It is used environmentally and saving energy, its consumption is same to 1/3 of traditional fluorescent tube. .
5. soft light, vision of color is also good.

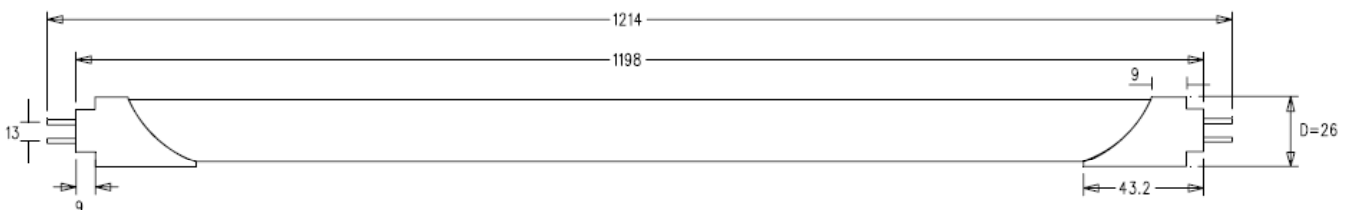
II、 Parameter

1. The materials of cover : PC, Diffused
2. The materials of base : Aluminum Alloy
3. Color: WarmWhite / PureWhite / CoolWhite
4. Light Source: 180pcs 3014SMD
5. Lifetime: >40,000 Hours



Parameter	Symbol	Min		Max	Unit
Brightness	Flux	1500		1700	lm
		1600		1800	lm
		1700		1900	lm
Color Temperature	CCT	2800	3000	3500	K
		4000	4500	5000	K
		6000	6500	7000	K
Voltage	V / AC	100		135	V
Temperature	Topr	-20	25	40	°C
Operation Temperature	To	-40	25	80	°C
Total Power	P		18		W
View Angle	2θ1/2		120		Deg.

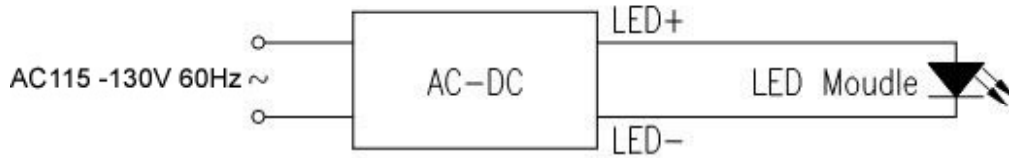
III、 Size (mm)



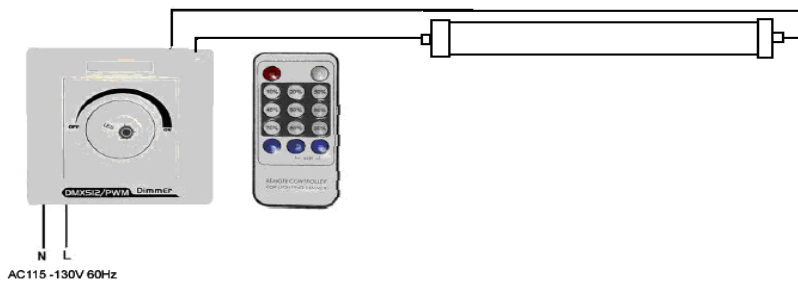
PL-T8/120-XX/SMD-3PH-D-H



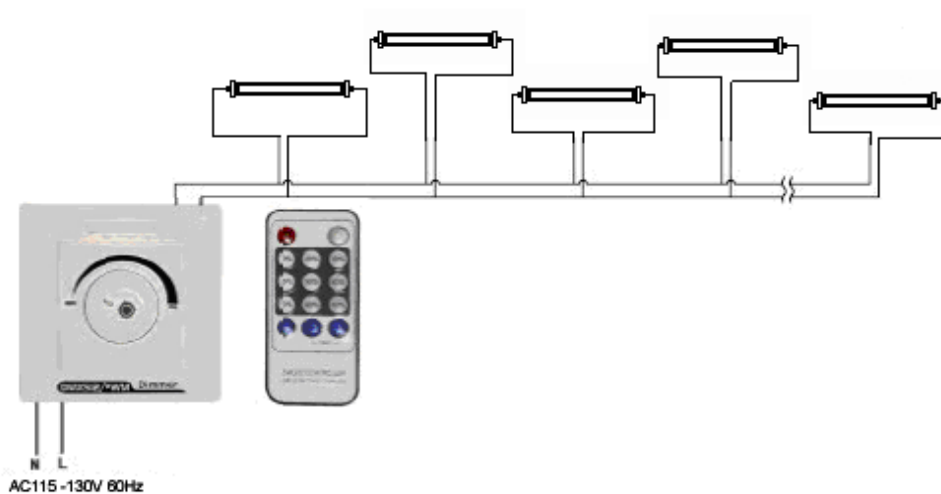
IV 、 Introduction



V 、 Installation Method:



VI 、 Usage:



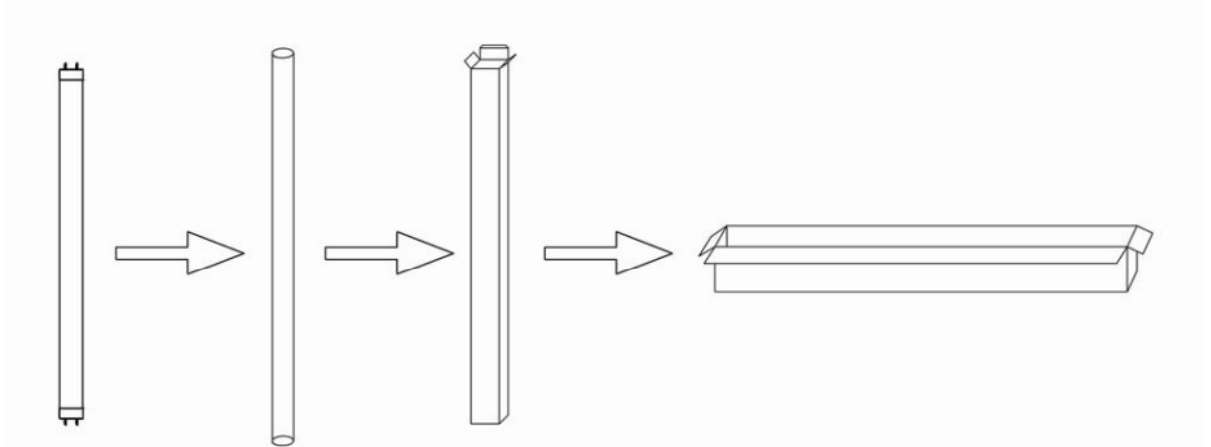
PL-T8/120-XX/SMD-3PH-D-H



VII 、 Cautions:

- The working input voltage for this product is AC100 -277V 60Hz, please ensure the right voltage running, wrong voltage may cause permanent damage.
- To prevent electric shock, do not touch the metal parts on the ends after connecting electricity.
- Please check it before using, if there are any breakages, please notify your supplier.
- Do not touch the light when it's working.
- Shut off the power before replacing the light.

VIII、 Packing:



- 1pc/polybag/white mail order box
- Q'ty/Carton: 25pcs
- Carton size: 210x210x1285mm