

I、 Introduction

1. High luminous efficiency
2. Solving the over-heat problem
3. High lumen maintenance
4. Convenient to install
6. Long life time & more stable

II、 Parameter

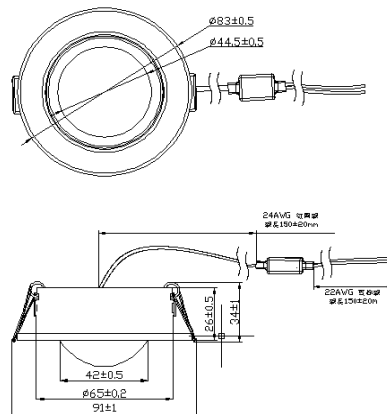
1. LED Emitting Color: Coolwhite
2. Size: Diameter=91mm, High=34mm
3. Installation Diameter: 65mm
4. Housing: Aluminum



III、 Electro - Optical

Para-Meter	Note	Test condition				Unit
			Min.	Typ.	Max.	
Flux	Luminous Flux	Yuanfang PMS-50 system 0.5m integral sphere, each $I_f=12.5\text{mA}$	350	450		lm
2 θ 1/2	Viewing Angle			85		Deg.
CCT	Color Temperature	Yuanfang PMS-50 system 0.5m integral sphere	3000	4000	6000	K
I_{in}	Current input	Philips high frequency electronic transformer. 12V.Taiwan HIOKI 3332 POWER HITESTER				mA
V_{in}	Voltage input		200		240	V
T_{sd}	Surface Temperature	Ambient temperature 20°C. After 1 hour of continuous work	-25		60	°C
P_{in}	Total Power	Taiwan HIOKI 3332 POWER HITESTER (Including driver)		7		W

V、 Size



開孔尺寸: $\phi 70\text{mm}$
hole size : $\phi 70\text{mm}$