

I、 Introduction

1. High luminous efficiency
2. Solving the over-heat problem
3. High lumen maintenance
4. Convenient to install
5. Long life time & more stable

II、 Parameter

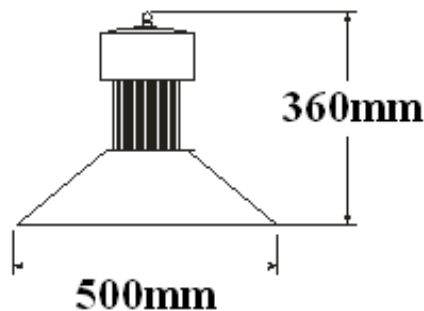
1. LED Emitting Color: Cool White: 6500K CW
Warm White :2700K WW
Pure White : 4000K PW
2. Size: Ø500*360mm
3. Housing: Aluminium housing + reflector
4. Chip brand: Bridgelux 45Mil
5. IP grade: IP40



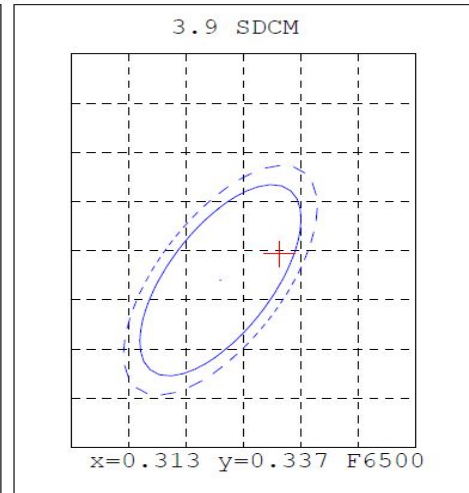
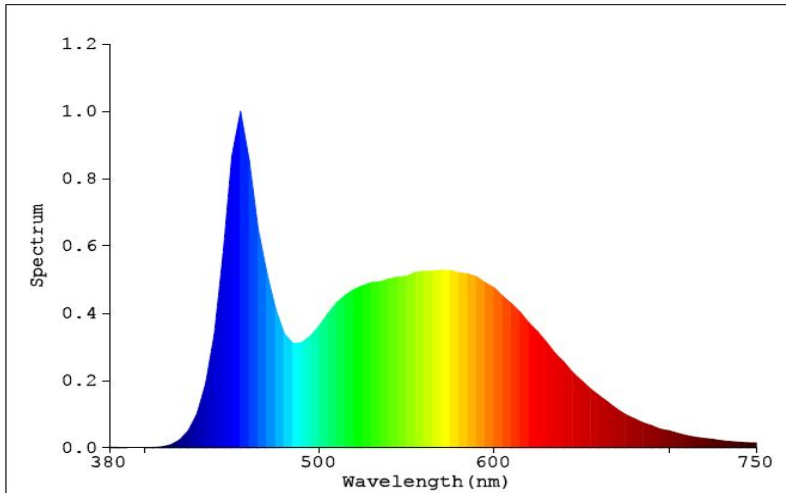
III、 Electro - Optical

Parameter	Symbol	Min	Typ	Max	Unit
Brightness	Flux		10800		lm
Color Temperature	CCT	2700	4000	6500	K
Voltage	V / AC	90		277	V
Total Power	P		120		W
View Angle	2θ1/2		120		Deg.

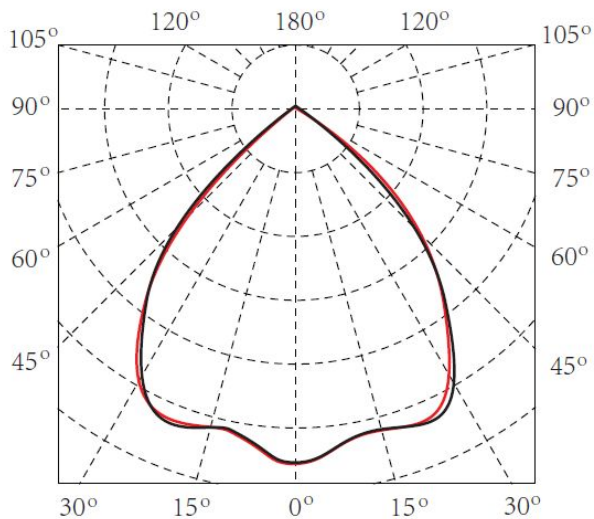
V、 Size



Technical Data test pattern(技術參數測試圖)
Light source test report(電光源測試報告)



灯具配光曲线
Light distribution curve



照度图
Illuminance map

光通量: 10200 lm

6m	73.8/157.2 lx	1200cm
7m	54.2/115.4 lx	1400cm
8m	41.5/88.3 lx	1600cm
9m	32.8/69.7 lx	1800cm
10m	26.6/56.4 lx	2000cm

高度|Height Beam Angle|光束角:90 deg Diameter|直径